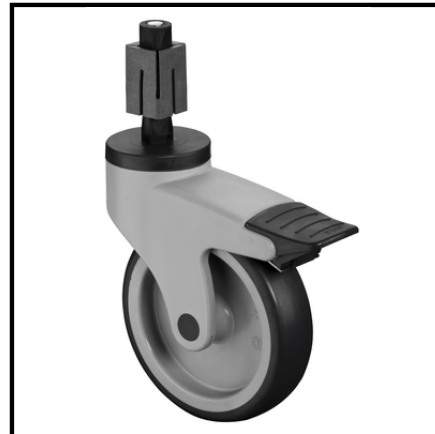


C124.A81.100
Swivel castors with brake
Plastic castor

EAN 4021885099459

Technical data

Wheel Ø	100 mm
Load capacity	100 kg
Tread	Thermoplastic rubber grey
Mounting height	137 mm
Bearing	Plain bearing
Wheel width	32 mm
Wheel body	Plastic
Offset	38 mm



Rolling resistance	● ● ● ●
Wear resistance	● ● ● ●
Floor preservation	● ● ●