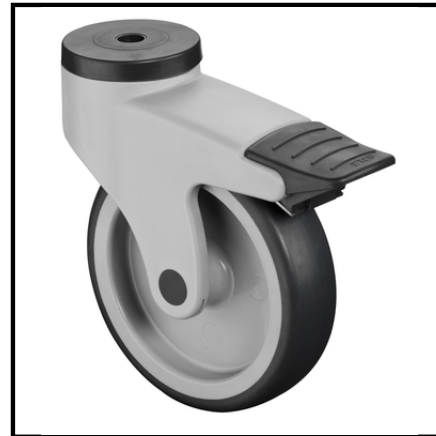


C121.A81.125
Swivel castors with brake
Plastic castor

EAN 4021885115852

Technical data

Wheel Ø	125 mm
Load capacity	100 kg
Tread	Thermoplastic rubber grey
Mounting height	161 mm
Bearing	Plain bearing
Ø Backhole	12.5 mm
Wheel width	32 mm
Wheel body	Plastic
Offset	43 mm



Rolling resistance	● ● ● ●
Wear resistance	● ● ● ●
Floor preservation	● ● ●