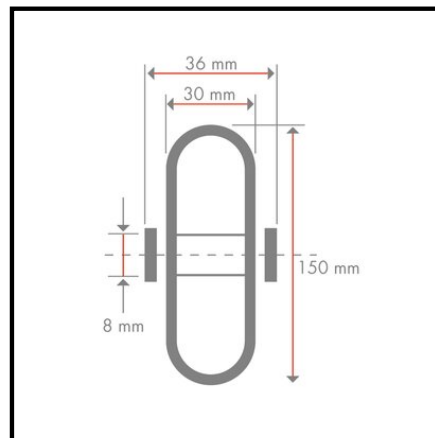


D20.150
Wheels
Pneumatic wheel

EAN 4021885009199

Technical data

Wheel Ø	150 mm
Load capacity	60 kg
Tread	Rubber grey
Bearing	Ball bearing
Wheel width	30 mm
Hub length	36 mm
Wheel body	Plastic
Max. Tyre pressure	2.5 bar
Ø axle hole / bore	8 mm
Profile	Groove profile
Number of ply layers	2
Remarks	S = studded profile, R = grooved profile



Rolling resistance	● ● ● ●
Wear resistance	● ● ●
Floor preservation	● ● ● ●